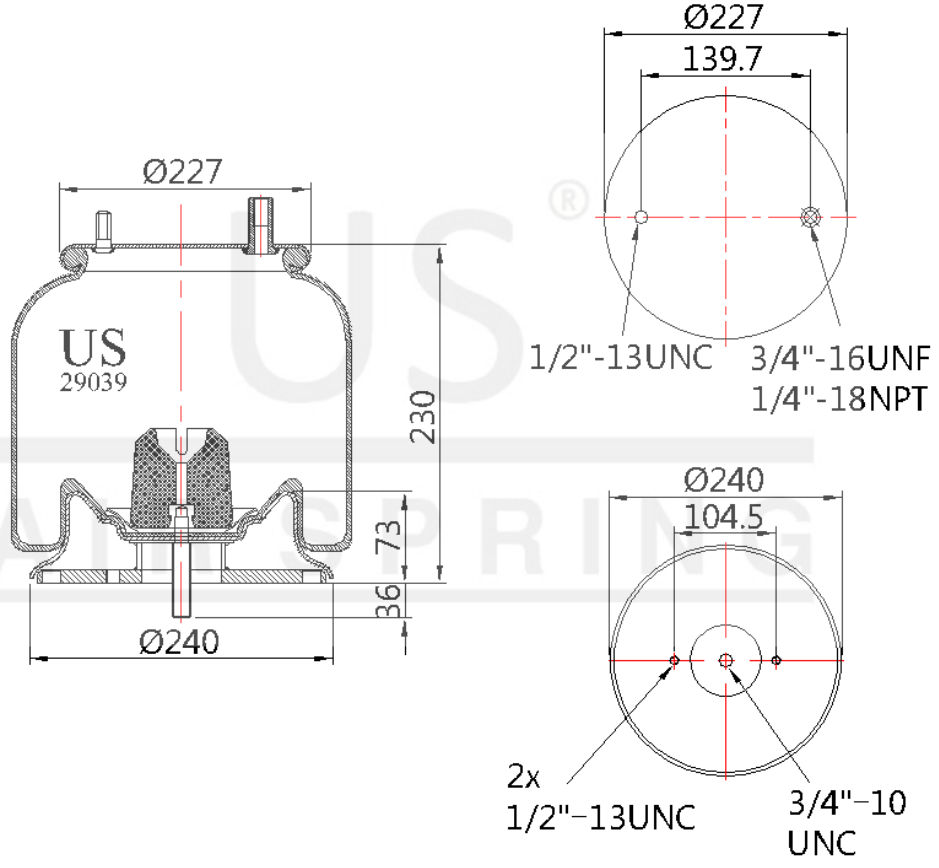


US - 29039 K01

Sipariş Kodu: 5363-227

US
AIR SPRING



© 2026 US AIR SPRING. ALL RIGHTS RESERVED. <http://www.usmerkaucuk.com/>

Ürün Özellikleri

Ürün Tipi	KOMPLE
Ürün Kodu	29039 K01
Sipariş Kodu	5363-227
Kutu Boyutu	
Kutudaki Adet	
Ağırlık	Kg.
Tork	
Ürün Grubu	

US - 29039 K01

Sipariş Kodu: 5363-227



CROSS Kodları

CONTITECH	91010P311
AIRTECH	39039C
FIRESTONE	1T15M0
FIRESTONE	W013589039
FLEETPRIDE	AS9039
GOODYEAR	1R12095
GOODYEAR	566243067
TAURUS	6360
TRIANGLE	AS8311
TRP	AS90390
AUTOMANN	1DK23F9039

OEM Kodları

RIDEWELL	S2061C
ARVIN MERITOR	200457
ARVIN MERITOR	21208939
ARVIN MERITOR	21216135
VOLVO	3130492
NAVISTAR	554766C1
ORION	101324014
HUTCHENS	H942403
FLXIBLE	6336202
BLUEBIRD	300961250
DAYTON	3529039
FABTEK	101827
HENDRICKSON	S11650
HENDRICKSON	S2064
HUTCHENS	H942401
LOADGUARD	SC2033
MAHOWK	10132401
NAVISTAR	554766C1
RS TRUCK	1090218
RAYDAN	21100010
RIDEWELL	1013589039C
SAF HOLLAND	90557011
SAF HOLLAND	90557001
SAF HOLLAND	90557023
SAF HOLLAND	90557085
SAF HOLLAND	90044199
SAUER	P50734
SUSPENSIONS	200457
TAURUS	AS5009039
VOLVO	85101153
WATSON&CHA.	AS0012
SAF HOLLAND	90054234