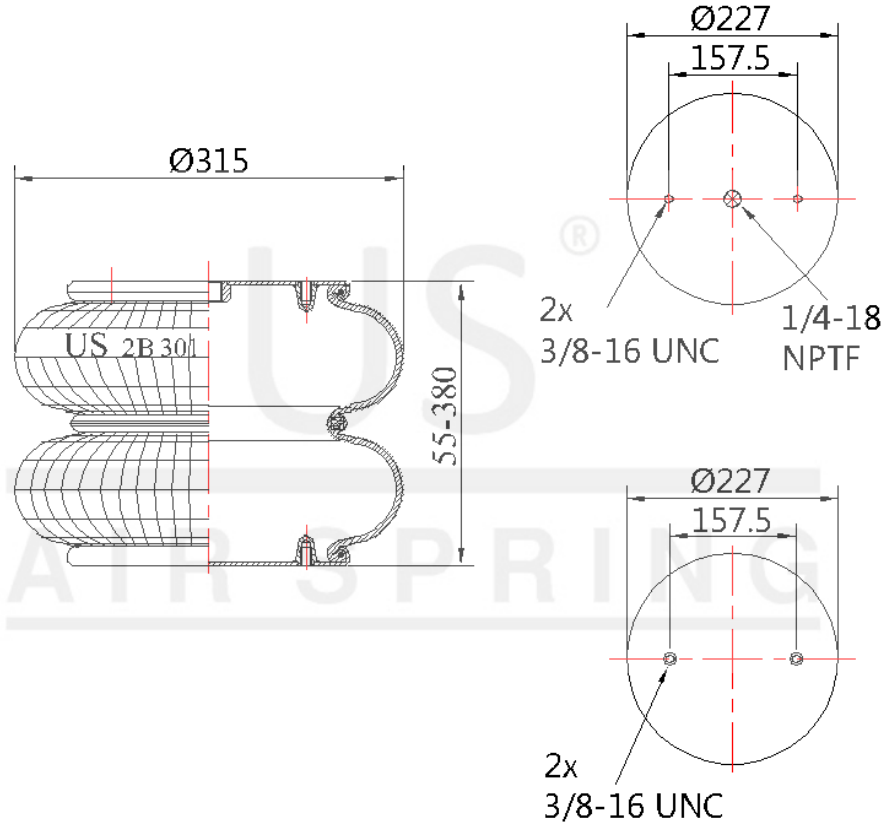


# US - 2B 301-07

Sipariş Kodu: 4154-227

**US**  
**AIR SPRING**



© 2022 US AIR SPRING. ALL RIGHTS RESERVED. <http://www.usmerkaucuk.com/>

## Ürün Özellikleri

Ürün Tipi	B
Ürün Kodu	2B 301-07
Sipariş Kodu	4154-227
Kutu Boyutu	
Kutudaki Adet	
Ağırlık	Kg.
Tork	
Ürün Grubu	

# US - 2B 301-07

Sipariş Kodu: 4154-227



## CROSS Kodları

<b>CONTITECH</b>	FD33030323
<b>AIRKRAFT 1</b>	2B320
<b>AIRKRAFT 2</b>	113493
<b>FIRESTONE</b>	W013587443
<b>GOODYEAR 1</b>	2B12305
<b>GOODYEAR 2</b>	578923310
<b>AUTOMANN</b>	SP2B22RA7443
<b>TAURUS</b>	6328
<b>TRIANGLE</b>	AS4323
<b>TRP</b>	AS74430
<b>FLEETPRIDE</b>	AS7443

## OEM Kodları

<b>HENDRICKSON</b>	S13035
<b>SAF HOLLAND</b>	57007443
<b>GRANNING</b>	1218
<b>GRANNING</b>	1589
<b>RIDEWELL</b>	S2683C
<b>LOADGUARD</b>	SC2026
<b>NAVISTAR</b>	554786C1
<b>RIDEWELL</b>	1003587443C
<b>WATSON&amp;CHALIN</b>	AS0027
<b>DAYTON</b>	3547443